

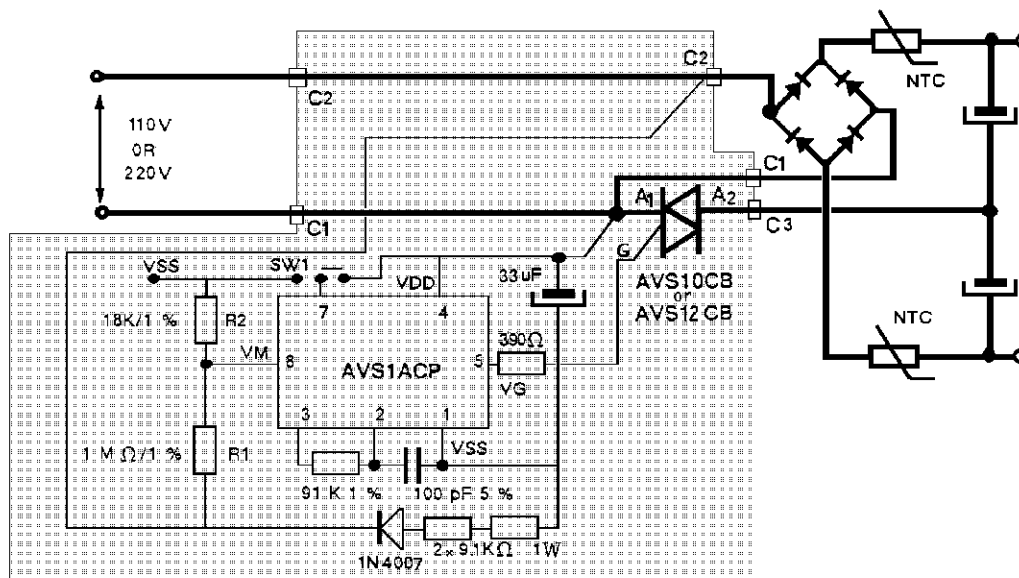
## HOW TO USE THE AVS KIT

### PRELIMINARY NOTE

#### I DESCRIPTION OF THE AVS KIT :

The AVS10, or AVS12, is an automatic mains selector to be used in on line SMP supply with Power up to 500W. It is made of two devices.

This switch modifies automatically the structure of the input diodes bridge in order to keep a same DC voltage range.



The AVS is compatible with 50 and 60 Hz mains frequency and operates on two mains voltage ranges :

- On range I (110  $V_{RMS}$ ) the AC voltage varies from 88 to 132 V and the triac is ON : the bridge operates as voltage doubling circuit.
- On range II (220  $V_{RMS}$ ) the AC voltage varies from 176 V to 276 V and the triac is OFF : the circuit operates as full wave bridge.

#### II PERFORMANCE OF THE AVS :

The control of the switch is made by the comparison of the mains voltage (VM on pin 8) with internal threshold voltages ( $V_{TH}$  and  $V_H$  on pin 8).

When mains voltage increases from range I to range II the triac conduction is completely stopped before one mains period because  $VM > V_{TH}$ .

When mains voltage drops from range II to range I VM becomes lower than  $V_{TH} - V_H$ . There are two options (V mode on pin 7) :

- V mode = VDD ; the triac triggering is validated 8 mains periods after power on reset.
- V mode = VSS ; the triac control remains locked to range II until circuit reset.

#### III USE OF THE AVS :

Calculation of the oscillator :

## APPLICATION NOTE

---

The oscillator frequency is determined by the mains frequency (50 and 60 Hz) and the gate control : its required value must be 45 KHz  $\pm$  5%; so the value of components is :

$$C = 100 \text{ pF}/5\% \\ R = 91 \text{ KOhms}/1\%$$

The frequency control is made on pin 3.

### Adjustement of the mains mode change :

The measure of the mains voltage is made by a detection of the peak value.

The change of mains range is made by adjustment of resistor bridge and we advice :

$$800 \text{ KOhms} < R1 + R2 < 2 \text{ MOhms}$$

Calculation of the change from range I to range II (on pin 8) :

$$[V_{TH} \cdot (R1 + R2)] / (R2 \cdot \sqrt{2}) + V_{reg} / \sqrt{2} = \\ \text{max.RMS voltage on Range I}$$

$$V_{reg} \text{ typ} = -9 \text{ V and } V_{TH} \text{ typ} = 4.25 \text{ V}$$

Calculation of the change from Range II to range I :

$$[(V_{TH} - V_H) \cdot (R1 + R2) / R2 \cdot \sqrt{2}] + V_{reg} / \sqrt{2} = \\ \text{min. RMS voltage on range II}$$

$$V_{reg} \text{ typ} = -9 \text{ V and } V_H \text{ typ} = 0.4 \text{ V}$$

### Performance of the power on reset :

The power on reset permits the charge of the bulk capacitors of the SMP supply through soft start circuit.

The triac triggering is validated (on range I) after the validation of power on reset (charge of supply capacitor C) and a temporization of 8 mains periods.

T delay = delay time between power on and triac triggering

$$T_d = 0,89 \cdot V_{reg} \cdot R \cdot C / [(V_{RMS} \cdot \sqrt{2}/\pi) - R \cdot I_{SS}] \\ + 8/f$$

f = mains frequency

R = supply resistor = 18 kOhms

C = supply capacitor = 33  $\mu$ F

$V_{RMS}$  = mains voltage

$I_{SS}$  = quiescent supply current of AVS

### Supply of the controller :

The structure of the supply regulator is a shunt regulator and its current must be lower than  $I_{SS}$  max = 30 mA.

In order to have a good behavior of the circuit against mains voltage spikes the pin 4 (VDD) of the integrated circuit has to be connected straightly with the A1 of the triac. In same way the supply diode rectifier and R1 have to be connected to the diode bridge (see typical application diagram).

### Triac control :

Between pin 5 and triac gate there is a resistor in order to limit the gate current; its value is given by the controller supply and triac ; the required value is 390 Ohms (5%).

### Thermal rating of triac :

The knowlegde of the maximum triac current  $I_{TM}$  and the current pulse width  $t_p$  in worst case conditions allows to calculate the losses, PT dissipated by the triac :

$$I_{TRM} = R_{MS} \text{ triac current} \\ = I_{TM} \times \sqrt{t_p} \times \sqrt{f}$$

$$PT = 4 \cdot t_p \cdot f \cdot I_{TM} \cdot \sqrt{V_{TO}/\pi} \\ + r_t \cdot t_p \cdot f \cdot (I_{TM}^2)$$

for AVS10CB :

$V_{TO}$  = threshold voltage of triac = 1.1 V

$r_t$  = on state triac resistance = 49 mohms

for AVS12CB:

$$V_{TO} = 1V \\ r_t = 45 \text{ MOhms}$$

The figure 1 of DC general characteristics of triac gives these losses PT versus  $I_{TRMS}$  for this application. The figure 2 allows to calculate the external heatsink  $R_{TH}$  versus PT and  $T_{amb}$  when  $T_j = 110C$

$$T_j - T_c = R_{TH} \text{ j-c AC} \cdot PT \\ T_c - T_{amb} = R_{TH} \cdot PT$$

Example on AVS10 :

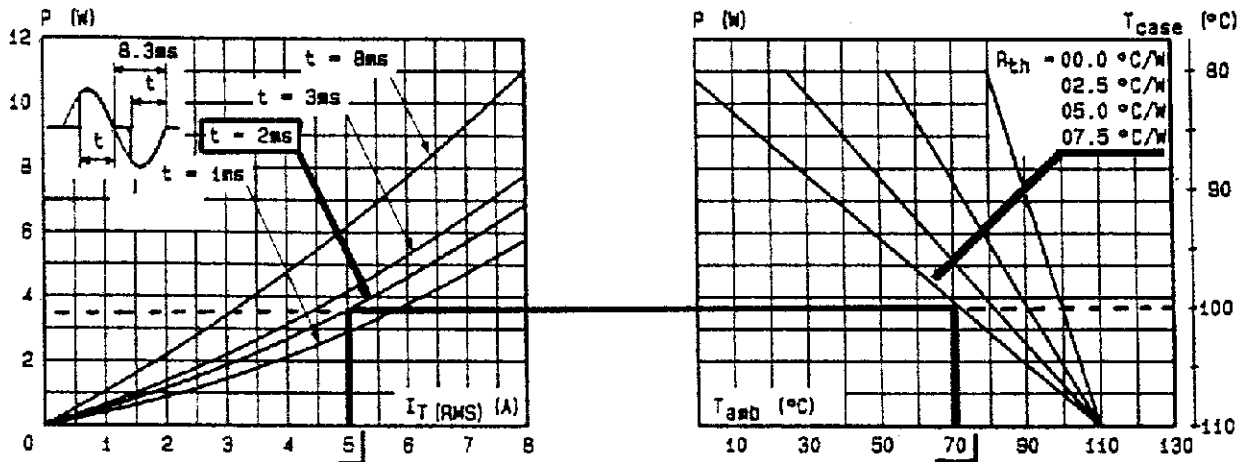


Figure 1 and Figure 2 of AVS10 Datasheet

if  $t_p = 2\text{ms}$  and  $I_{TRMS} = 5\text{A}$

-  $P_T = 3.8\text{W}$

-  $T_c = 100^\circ\text{C}$  if  $T_j = 110^\circ\text{C}$

-  $R_{TH} = 7.5^\circ\text{C/W}$  if  $T_j = 110^\circ\text{C}$  and  $T_{amb} < 70^\circ\text{C}$

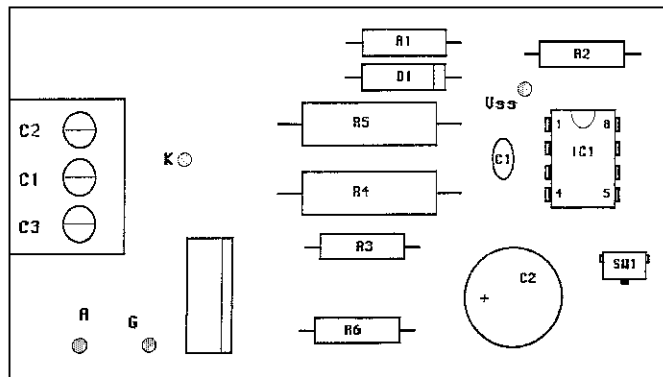
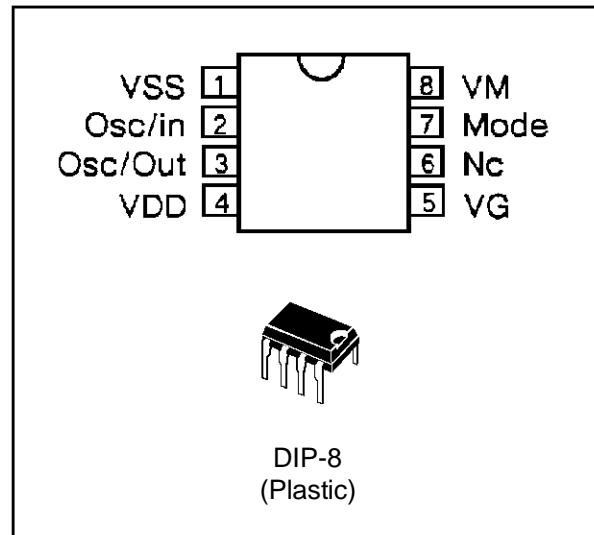
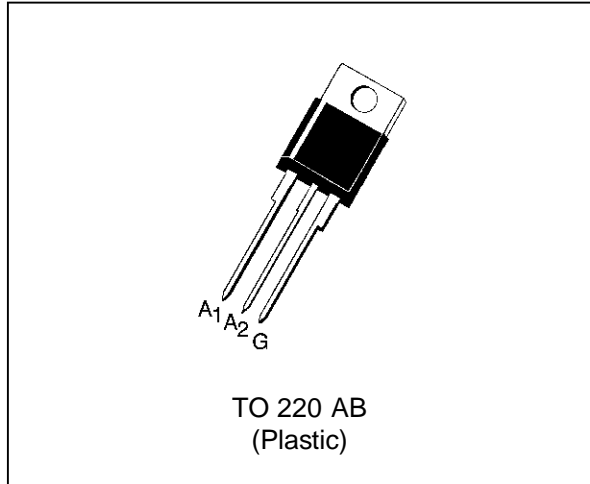
**Annex : AVS demo board**

COMPONENT LIST FOR AVS10.

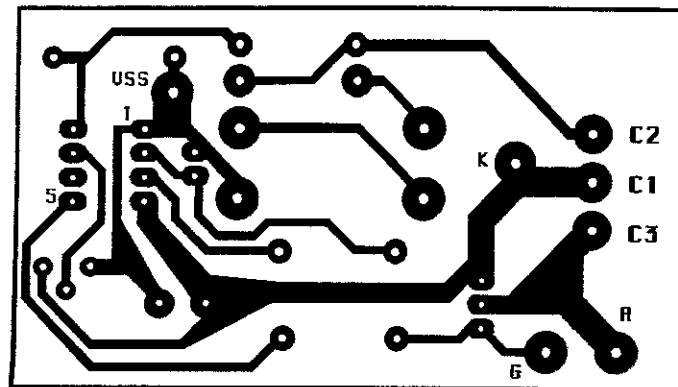
DESIGNATION	QTE	REFERENCE	OBSERVATIONS	MARQUE
PRINTED CIRCUIT	1	4751		
RESISTANCE	1	R1	1 MOhms 1%	
RESISTANCE	1	R2	18 KOhms 1%	
RESISTANCE	1	R3	91 KOhms 1%	
RESISTANCE	2	R4	9.1 KOhms 1W	
RESISTANCE	1	R6	390 Ohms 5%	
DIODE	1	D1	1N4007	
CONDENSATOR	1	C1	100 pF 5%	
CONDENSATOR	1	C2	33 $\mu$ F 16V RADIAL	
TRIAC	1	IC2	AVS10CB / AVS12CB	SGS-THOMSON
INTEGRATED CIRCUIT	1	IC1	AVS1ACP08	SGS-THOMSON
SUPPORT	1		CI 8 PINS	
INVERTER	1	SW1	MINIDIP	
SOCKET	1	SL 3W	3 PINS	WEIDMULLER
PLUG	1	BL3	3 PINS	WEIDMULLER

# APPLICATION NOTE

Products PIN out



Components layout



Printed circuit layout (Copper side) : 1/1 scale

Information furnished is believed to be accurate and reliable. However, SGS-THOMSON Microelectronics assumes no responsibility for the consequences of use of such information nor for any infringement of patents or other rights of third parties which may result from its use. No license is granted by implication or otherwise under any patent or patent rights of SGS-THOMSON Microelectronics. Specifications mentioned in this publication are subject to change without notice. This publication supersedes and replaces all information previously supplied.

SGS-THOMSON Microelectronics products are not authorized for use as critical components in life support devices or systems without express written approval of SGS-THOMSON Microelectronics.

© 1995 SGS-THOMSON Microelectronics - Printed in Italy - All rights reserved.

SGS-THOMSON Microelectronics GROUP OF COMPANIES

Australia - Brazil - France - Germany - Hong Kong - Italy - Japan - Korea - Malaysia - Malta - Morocco -  
The Netherlands - Singapore - Spain - Sweden - Switzerland - Taiwan - Thailand - United Kingdom - U.S.A.